

Interactive Catalog Replaces Catalog Pages

Honeywell Sensing and Control has replaced the PDF product catalog with the new **Interactive Catalog**. The **Interactive Catalog** is a power search tool that makes it easier to find product information. It includes more installation, application, and technical information than ever before.



**Click this icon to try the new
Interactive Catalog.**

Sensing and Control

Honeywell Inc.

11 West Spring Street

Freeport, Illinois 61032

Solid State Sensors

Closed Loop Current Sensors

CSN Series



FEATURES

- Current sensing up to 1200 amps
- Measures AC, DC and impulse currents
- Lowest cost/performance ratio
- Rapid response, no overshoot
- High overload capacity
- High level of electrical isolation between primary and secondary circuits
- Small size and weight

CLOSED LOOP SENSORS

Closed loop current sensors measure AC, DC and impulse currents over 0-25, 0-50, 0-100, 0-600 and 0-1200 Amp ranges. The CSN Series is based on the principles of the Hall effect and the null balance or zero magnetic flux method (feedback system). The magnetic flux in the sensor core is constantly controlled at zero. The amount of current required to balance zero flux is the measure of the primary current flowing through the conductor, multiplied by the ratio of the primary to secondary windings. This closed loop current is the output from the device and presents an image of the primary current reduced by the number of secondary turns at any time. This current can be expressed as a voltage by passing it through a resistor.

CATALOG NUMBER SYSTEM

PLEASE NOTE: This matrix is intended **only** to aid you in identifying sensor catalog listings. It is not all-inclusive, and **must not be used** to form new listings.

Example: CSNA111

CSN Closed Loop Current Sensor

Current Range (Peak/RMS nom.)

- A** ± 70 A/50 A rms nom.
- B** ± 100 A/50 A rms nom.
- C** ± 90 A/50 A rms nom.
- D** ± 22 A/15 A rms nom.
- E** ± 36 A/25 A rms nom.
- F** ± 150 A/100 A rms nom.
- J** ± 600 A/300 A rms nom.
- K** ± 1200 A/500 A rms nom.
- L** ± 600 A/300 A rms nom.
- M** ± 1200 A/500 A rms nom.
- P** ± 90 A/50 A rms nom.
- R** ± 200 A/125 A rms nom.
- T** ± 150 A/50 A rms nom.

Supply Voltage

- 1** ± 15 V
- 2** ± 13 V
- 3** ± 5 V
- 4** ± 12 V to 18 V
- 5** ± 15 V to 24 V
- 6** ± 12 V to 15 V

Coil Characteristics

- 1** 1:1000 turns/90 Ω @ 70°C
- 2** 1:2000 turns/160 Ω @ 70°C
- 3** 1:2000 turns/130 Ω @ 70°C
- 4** 1:1000 turns/50 Ω @ 70°C
- 5** 1:1000 turns/110 Ω @ 70°C
- 6** 1:1000 turns/30 Ω @ 70°C
- 7** 1:2000 turns/80 Ω @ 70°C
- 8** 1:2000 turns/25 Ω @ 70°C
- 9** 1:5000 turns/50 Ω @ 85°C

Housing Material

- 1** Polycarbonate/ABS blend

Solid State Sensors

Closed Loop Current Sensors

CSN Series

CSNA, CSNB, CSNE SERIES ORDER GUIDE

| Catalog Listing | Current Range Amps | Supply Voltage VDC $\pm 5\%$ | Coil Characteristics | | Meas. Currents Nom. | Meas. Resist (@ I_{nom}) |
|-----------------|--------------------|------------------------------|----------------------|---------------------|---------------------|-----------------------------|
| | | | Turns | Resistance | | |
| CSNA111 | ± 70 | ± 15 | 1000 | 90 Ω @ 70°C | 50 mA for 50 A | 40 to 130 Ω |
| CSNB121 | ± 100 | ± 15 | 2000 | 160 Ω @ 70°C | 25 mA for 50 A | 40 to 270 Ω |
| CSNB131 | ± 100 | ± 15 | 2000 | 130 Ω @ 70°C | 25 mA for 50 A | 40 to 300 Ω |
| CSNE151 | $\pm 5-36$ | ± 15 | 1000 | 110 Ω @ 70°C | 25 mA for 25 A | 100 to 320 Ω |
| CSNE381* | $\pm 5-36$ | $\pm 5V$ | 1000 | 66 Ω @ 70°C | 25 mA for 25 A | 0 to 84 Ω |
| CSNH151* | $\pm 4-43$ | $\pm 15V$ | 1000 | 110 Ω @ 70°C | 25 mA for 25 A | 100 to 320 Ω |

NOTE: Extended temperature range and potting also available.

* Contact the 800 number for more information.

SPECIFICATIONS

| Catalog Listing | CSNA111 | CSNB121 | CSNB131 | CSNE151 |
|-----------------------------------|---|------------------------------------|-------------------------------------|------------------------------------|
| Offset Current @ 25°C, mA max. | ± 0.20 | ± 0.10 | ± 0.10 | ± 0.10 |
| Temperature Drift, 0 to 70°C, mA | ± 0.35 typ. ± 0.60 max. | ± 0.20 typ. ± 0.30 max. | ± 0.20 typ. ± 0.30 max. | ± 0.17 typ. ± 0.60 max. |
| Linearity | 0.1% | 0.1% | 0.1% | 0.2% |
| Supply Voltage | $\pm 15V$ | $\pm 15V$ | $\pm 15V$ | $\pm 15V$ |
| Galvanic Isolation @ 50 Hz/1 min. | 2.5 kV rms | | | 5 kV rms |
| Accuracy | $\pm 0.5\%$ of I_N (nominal Current) at 25°C | | | |
| Response Time | $< 1 \mu s$ | | | |
| Bandwidth | DC to 150 kHz | | | |
| Temperature | Operating: 0 to 70°C (32 to 150°F) | | Storage: -25 to 85°C (-13 to 185°F) | |
| Primary Circuit Connection | Thru-hole | Thru-hole | Thru-hole | Invasive on 10 pins |
| Secondary Circuit Connection | 3 Pins | 3 Pins | 3 Pins | 3 Pins |
| Current Drain | 10 mA (no load current) + output current (secondary current) | | | |
| "In-Out" Sense Signal | To obtain positive measuring current on O/P terminal, current must flow in direction of arrow | | | |
| Mounting | PCB, 3 pins, hole size 0.95 mm | | | PCB, 13 pins |

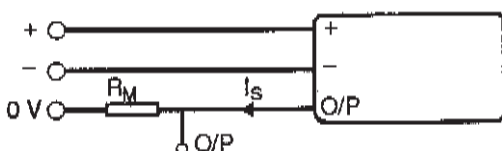
PRIMARY PIN CONNECTIONS FOR CSNE151

| Primary Turns | Primary Current | | Output Current (mA) | Primary Resistance (m Ω) | Primary Pin Connections |
|---------------|-------------------|----------------|---------------------|----------------------------------|-------------------------|
| | Nom. I_{DN} (A) | Max. I_D (A) | | | |
| 1 | 24 | 36 | 25 | 0.3 | |
| 2 | 12 | 18 | 24 | 1.1 | |
| 3 | 8 | 12 | 24 | 2.5 | |
| 4 | 6 | 9 | 24 | 4.4 | |
| 5 | 5 | 7 | 25 | 6.3 | |

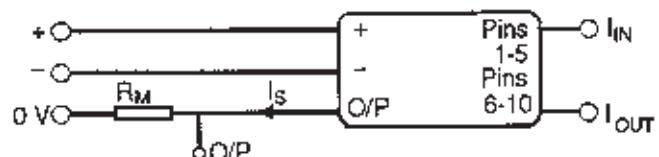
Current

WIRING DIAGRAMS

CSNA111/CSNB121/CSNB131



CSNE151



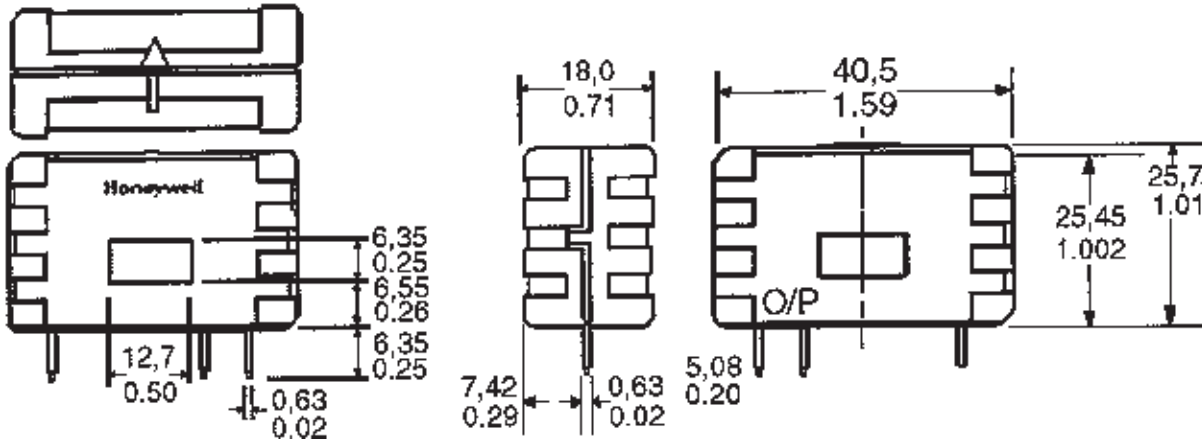
Solid State Sensors

Closed Loop Current Sensors

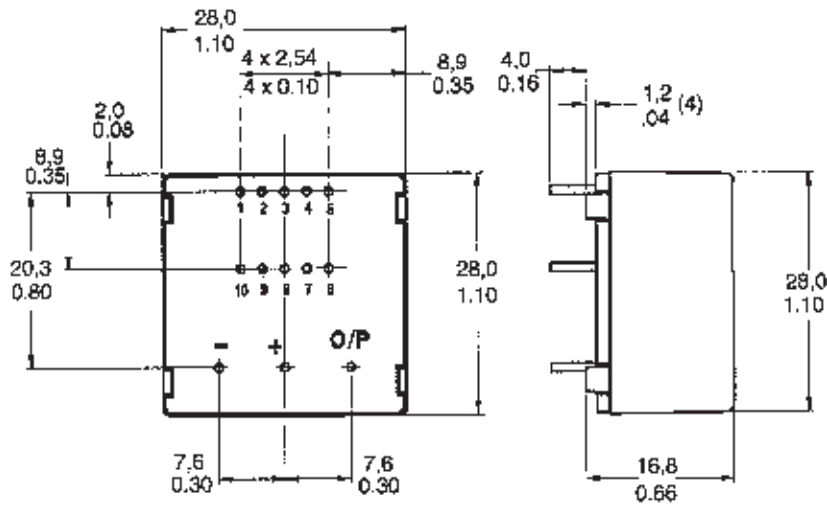
CSN Series

MOUNTING DIMENSIONS (for reference only)

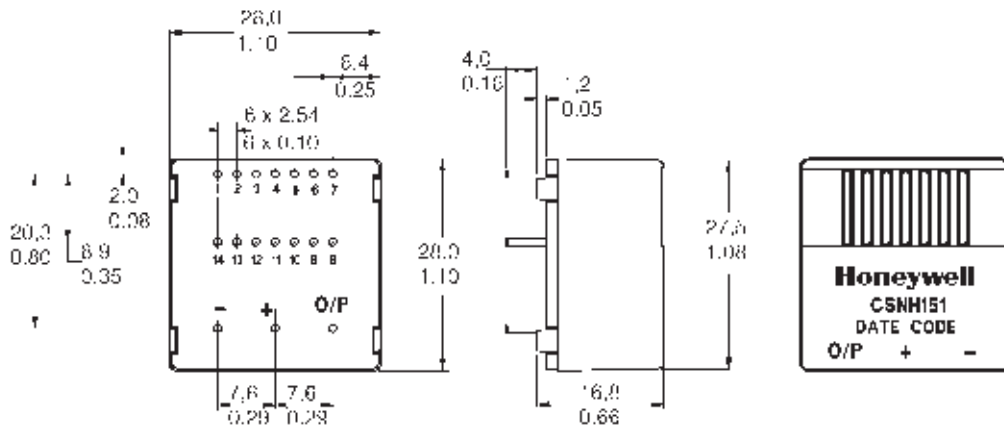
CSNA111, CSNB121, CSNB131



CSNE151/CSNE381



CSNH151



Solid State Sensors

Closed Loop Current Sensors

CSN Series

CSNJ, CSNK SERIES ORDER GUIDE

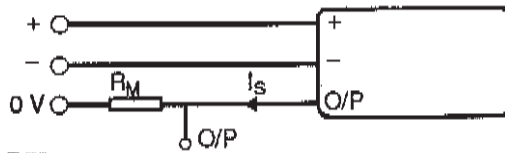
| Catalog Listings | Current Range Amps | Supply Voltage VDC $\pm 5\%$ | Coil Characteristics | | Meas. Currents Nom. | Meas. Resist (@ I_{nom}) |
|------------------|--------------------|------------------------------|----------------------|--------------------|---------------------|-----------------------------|
| | | | Turns | Resistance | | |
| CSNJ481 | ± 600 | ± 12 to 18 | 2000 | 25 Ω @ 70°C | 150 mA for 300 A | 0 to 70 Ω |
| CSNJ481-001* | ± 600 | ± 12 to 18 | 2000 | 25 Ω @ 70°C | 150 mA for 300 A | 0 to 70 Ω |
| CSNJ481-002 | ± 600 | ± 12 to 18 | 2000 | 25 Ω @ 70°C | 150 mA for 300 A | 0 to 70 Ω |
| CSNJ481-003* | ± 600 | ± 12 to 18 | 2000 | 25 Ω @ 70°C | 150 mA for 300 A | 0 to 70 Ω |
| CSNK591 | ± 1200 | ± 15 to 24 | 5000 | 50 Ω @ 70°C | 100 mA for 500 A | 0 to 130 Ω |
| CSNK591-001* | ± 1200 | ± 15 to 24 | 5000 | 50 Ω @ 70°C | 100 mA for 500 A | 0 to 130 Ω |
| CSNK591-002 | ± 1200 | ± 15 to 24 | 5000 | 50 Ω @ 70°C | 100 mA for 500 A | 0 to 130 Ω |
| CSNK591-003* | ± 1200 | ± 15 to 24 | 5000 | 50 Ω @ 70°C | 100 mA for 500 A | 0 to 130 Ω |

*Fitted with busbar

SPECIFICATIONS

| Catalog Listings | CSNJ481 CSNJ481-001 | CSNJ481-002 CSNJ481-003 | CSNK591 CSNK591-001 | CSNK591-002 CSNK591-003 |
|-----------------------------------|---|------------------------------------|------------------------------------|------------------------------------|
| Offset Current @ 25°C, mA max. | ± 0.30 | ± 0.30 | ± 0.20 | ± 0.20 |
| Temperature Drift, 0 to 70°C, mA | ± 0.30 typ. ± 0.50 max. | ± 0.30 typ. ± 0.50 max. | ± 0.20 typ. ± 0.30 max. | ± 0.20 typ. ± 0.30 max. |
| Linearity | $\pm 0.1\%$ | $\pm 0.1\%$ | $\pm 0.1\%$ | $\pm 0.1\%$ |
| Supply Voltage | ± 12 to ± 18 V | ± 12 to ± 18 V | ± 15 to ± 24 V | ± 15 to ± 24 V |
| Galvanic Isolation @ 50 Hz/1 min. | 7.5 kV rms | 7.5 kV rms | 6 kV rms | 6 kV rms |
| Accuracy | $\pm 0.5\%$ of I_n (nominal Current) at 25°C | | | |
| Response Time | <1 μ s | | | |
| Bandwidth | DC to 150 kHz | | | |
| Operating Temperature | -40 to 85°C (-40 to 185°F) | 0 to 70°C (32 to 158°F) | -40 to 85°C (-40 to 185°F) | 0 to 70°C (32 to 158°F) |
| Storage Temperature | -40 to 90°C (-40 to 194°F) | -25 to 85°C (-13 to 85°F) | -40 to 90°C (-40 to 194°F) | -25 to 85°C (-13 to 85°F) |
| Primary Circuit Connection | Thru-hole or busbar | Thru-hole or busbar | Thru-hole or busbar | Thru-hole or busbar |
| Secondary Circuit Connection | 3 pins | 3 pins | 3 pins | 3 pins |
| Current Drain | 14 mA (no load current) + output current | | 22 mA (24 V) + output current | |
| "In-Out" Sense Signal | To obtain positive measuring current on O/P terminal, current must flow in direction of arrow | | | |
| Mounting | Faston, 3 pins | | Push-on (spade), 3 terminals | |

WIRING DIAGRAM



Current

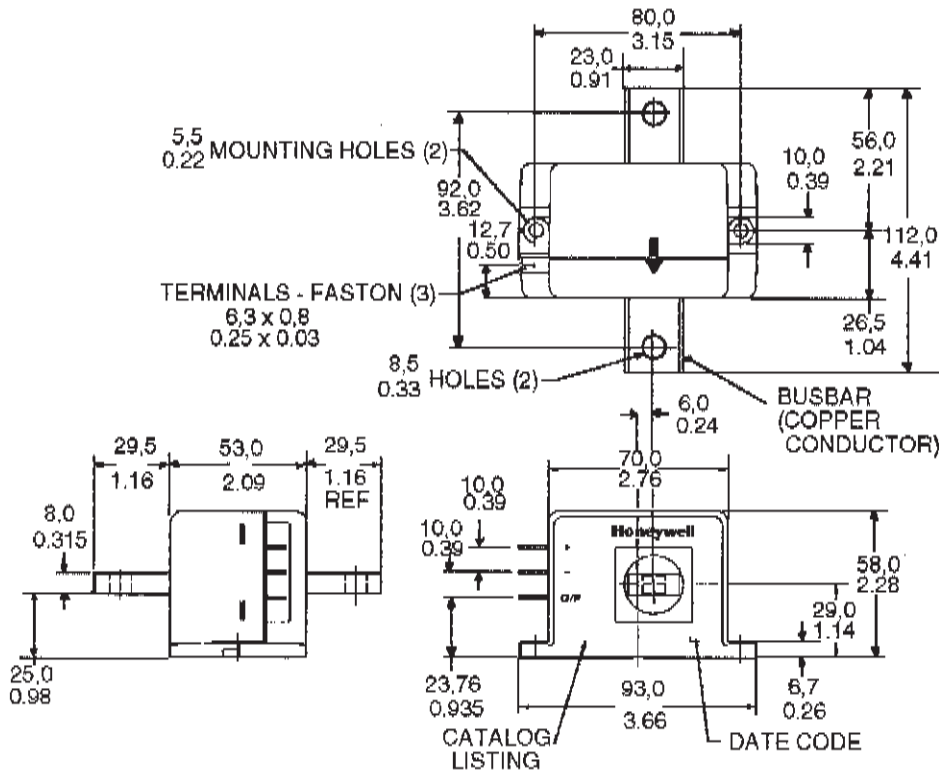
Solid State Sensors

Closed Loop Current Sensors

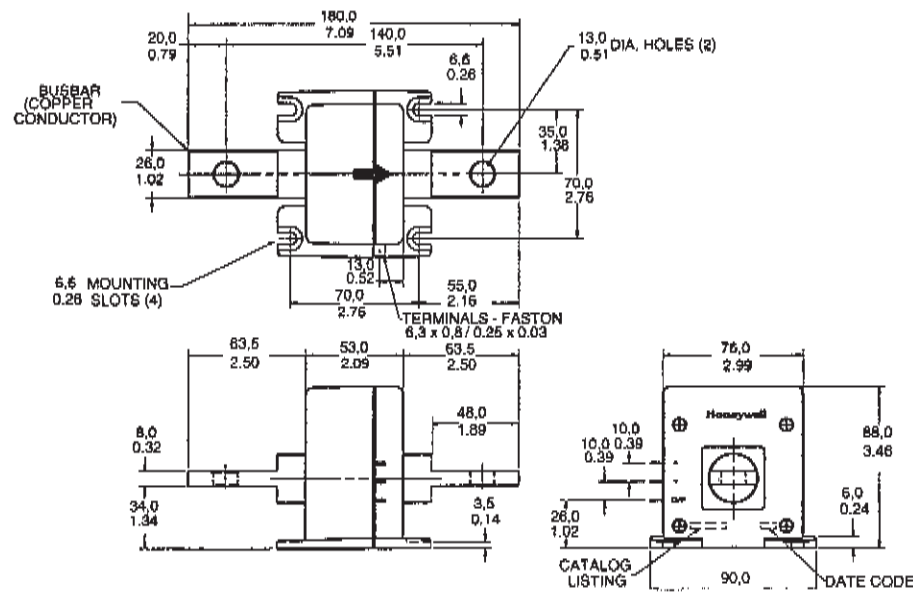
CSN Series

MOUNTING DIMENSIONS (for reference only)

CSNJ481



CSNK591



Solid State Sensors

Closed Loop Current Sensors

CSN Series

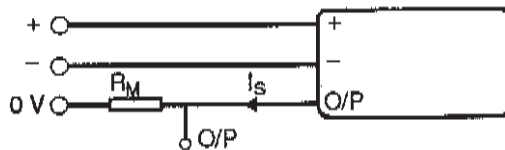
CSNL, CSNM SERIES ORDER GUIDE

| Catalog Listings | Peak Current Range Amps | Supply Voltage VDC $\pm 5\%$ | Coil Characteristics | | Meas. Currents Nom. | Meas. Resist (@ I_{nom}) |
|------------------|-------------------------|------------------------------|----------------------|-------------------------------|---------------------|-----------------------------|
| | | | Turns | Resistance | | |
| CSNL181 | ± 600 | ± 12 to 18 | 2000 | $25\Omega @ 70^\circ\text{C}$ | 150 mA for 300 A | 0 to 70Ω |
| CSNM191 | ± 1000 | ± 12 to 18 | 5000 | $50\Omega @ 70^\circ\text{C}$ | 100 mA for 500 A | 0 to 120Ω |

SPECIFICATIONS

| Catalog Listings | CSNL181 | CSNM191 |
|---|---|------------------------------------|
| Offset Current @ 25°C , mA max. | ± 0.30 | ± 0.20 |
| Temperature Drift, 0 to 70°C , mA | ± 0.30 typ. ± 0.50 max. | ± 0.20 typ. ± 0.30 max. |
| Linearity | $\pm 0.1\%$ | $\pm 0.1\%$ |
| Supply Voltage | ± 12 to $\pm 18\text{V}$ | ± 12 to $\pm 18\text{V}$ |
| Galvanic Isolation @ 50 Hz/1 min. | 7.5 kV rms | 7.5 kV rms |
| Accuracy | $\pm 0.5\%$ of I_N (nominal Current) at 25°C | |
| Response Time | 500 ns | $< 1 \mu\text{s}$ |
| Bandwidth | DC to 150 kHz | |
| Operating Temperature | -40 to 85°C (-40 to 185°F) | |
| Storage Temperature | -40 to 90°C (-40 to 194°F) | |
| Primary Circuit Connection | Thru-hole | Thru-hole |
| Secondary Circuit Connection | 3 pins | 3 pins |
| Current Drain | 14 mA (no load current) + output current | |
| "In-Out" Sense Signal | To obtain positive measuring current on O/P terminal, current must flow in direction of arrow | |
| Mounting | Faston, 3 pins | |

WIRING DIAGRAM



Current

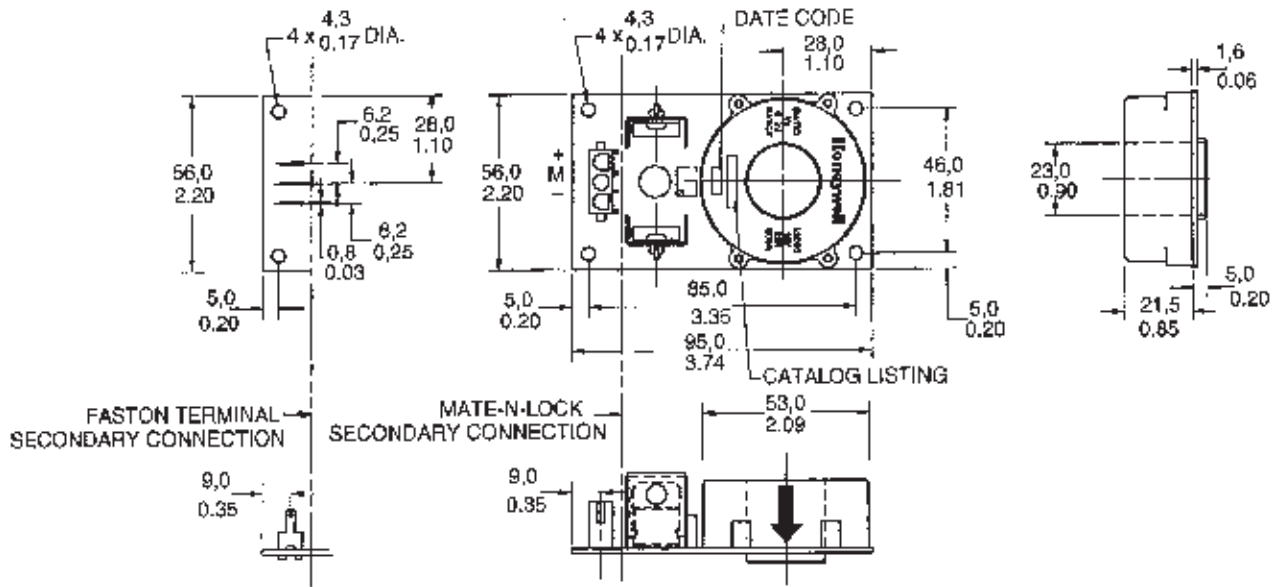
Solid State Sensors

Closed Loop Current Sensors

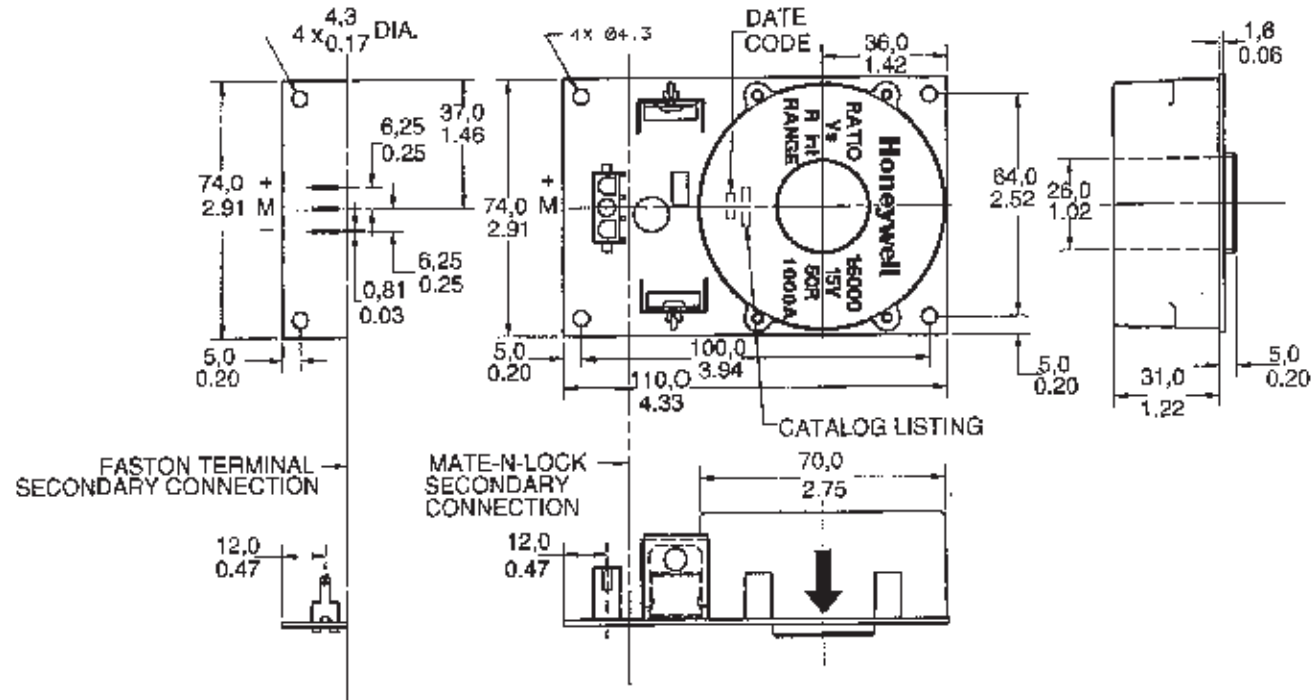
CSN Series

MOUNTING DIMENSIONS (for reference only)

CSNL181



CSNM191



Solid State Sensors

Closed Loop Current Sensors

CSN Series

CSNF, CSNR, CSNP, CSNT SERIES ORDER GUIDE

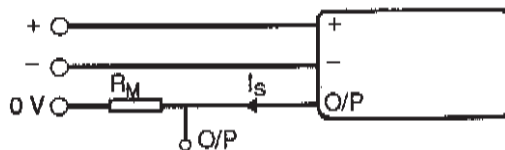
| Catalog Listings | Peak Current Range Amps | Supply Voltage VDC \pm 5% | Coil Characteristics | | Meas. Currents Nom. | Meas. Resist (@ I_{nom}) |
|------------------|-------------------------|-----------------------------|----------------------|---------------------|---------------------|-----------------------------|
| | | | Turns | Resistance | | |
| CSNP661 | \pm 90 | \pm 12 to 15 | 1000 | 30 Ω @ 70°C | 50 mA for 50 A | 50 to 100 Ω |
| CSNT651 | \pm 150 | \pm 12 to 15 | 2000 | 100 Ω @ 70°C | 25 mA for 50 A | 40 to 75 Ω |
| CSNF161 | \pm 150 | \pm 12 to 15 | 1000 | 30 Ω @ 70°C | 100 mA for 100 A | 10 to 40 Ω |
| CSNF151 | \pm 180 | \pm 12 to 15 | 2000 | 100 Ω @ 70°C | 50 mA for 100 A | 10 to 75 Ω |
| CSNR161 | \pm 200 | \pm 12 to 15 | 1000 | 30 Ω @ 70°C | 125 mA for 125 A | 30 to 40 Ω |
| CSNR151 | \pm 200 | \pm 12 to 15 | 2000 | 100 Ω @ 70°C | 62.5 mA for 125 A | 10 to 40 Ω |

NOTE: Busbar options available.

SPECIFICATIONS

| Catalog Listings | CSNP661 | CSNT651 | CSNF161 | CSNF151 | CSNR161 | CSNR151 |
|-----------------------------------|---|------------------------------------|--|------------------------------------|------------------------------------|------------------------------------|
| Offset Current @ 25°C, mA max. | \pm 0.20 | \pm 0.10 | \pm 0.20 | \pm 0.10 | \pm 0.20 | \pm 0.10 |
| Temperature Drift, 0 to 70°C, mA | \pm 0.30 typ. \pm 0.50 max. | \pm 0.15 typ. \pm 0.25 max. | \pm 0.30 typ. \pm 0.50 max. | \pm 0.15 typ. \pm 0.25 max. | \pm 0.30 typ. \pm 0.60 max. | \pm 0.15 typ. \pm 0.30 max. |
| Linearity | \pm 0.1% | \pm 0.1% | \pm 0.1% | \pm 0.1% | \pm 0.1% | \pm 0.1% |
| Supply Voltage | \pm 12 to 15V | \pm 12 to 15V | \pm 12 to 15V | \pm 12 to 15V | \pm 12 to 15V | \pm 12 to 15V |
| Galvanic Isolation @ 50 Hz/1 min. | 3 kV rms | 3 kV rms | 3 kV rms | 3 kV rms | 3 kV rms | 3 kV rms |
| Accuracy | \pm 0.5% of I_n (nominal Current) at 25°C | | | | | |
| Response Time | <500 ns | | | | | |
| Bandwidth | DC to 150 kHz | | | | | |
| Operating Temperature | -40 to 85°C (-40 to 185°F) | | -40 to 85°C (-40 to 185°F) | | | |
| Storage Temperature | -40 to 90°C (-40 to 194°F) | | -40 to 90°C (-40 to 194°F) | | | |
| Primary Circuit Connection | Thru-hole | | | | | |
| Secondary Circuit Connection | 3 pins | | | | | |
| Current Drain | 10 mA (no load current) + output current | | 14 mA (no load current) + output current | | | |
| "In-Out" Sense Signal | To obtain positive measuring current on O/P terminal, current must flow in direction of arrow | | | | | |
| Mounting | 3 pins | | | | | |
| Pin Style | A | A | B | B | B | B |

WIRING DIAGRAM



Current

Solid State Sensors

Closed Loop Current Sensors

CSN Series

MOUNTING DIMENSIONS (for reference only)

